



# Summit SWS997 Rx Development Kit

Summit XD or SD Rx Module with 2x50 W Amp

## HARDWARE PRODUCT BRIEF

### Development Kit Description

The Summit SWS997 Rx Development Kit combines one of Summit's Extended Distance or Standard Distance Rx Modules with an Anaview AMS0100 amplifier to simplify the task of developing HD audio wireless speakers. The Extended Distance (XD) model is optimized for designing satellite and PA speakers for Pro/Commercial and Multi-room applications where extended transmission distances are required, while the Standard Distance (SD) model is intended for designing bookshelf and tower speakers for Home Theater applications.

The Anaview 2x50 Watt amplifier includes a universal switching-mode power supply (SMPS) and can be configured in stereo or bi-amp modes via configuration of the Summit Rx Module.

Both Development Kits ship configured for stereo output and are housed in aluminum enclosures with the Anaview amplifier and desired XD or SD Summit Rx Module.

### Features

#### Rx Module:

- Integrated high-gain quad-diversity PCB antenna
- Supports 24-bit audio at sample rates up to 96 kHz
- Three separate audio filter channels, each with 12 programmable bi-quad digital filters
- U-NII (5 GHz) band radio with DFS operation
- FCC Part 15 Emissions certification



#### Class D Amplifier (Anaview AMS0100):

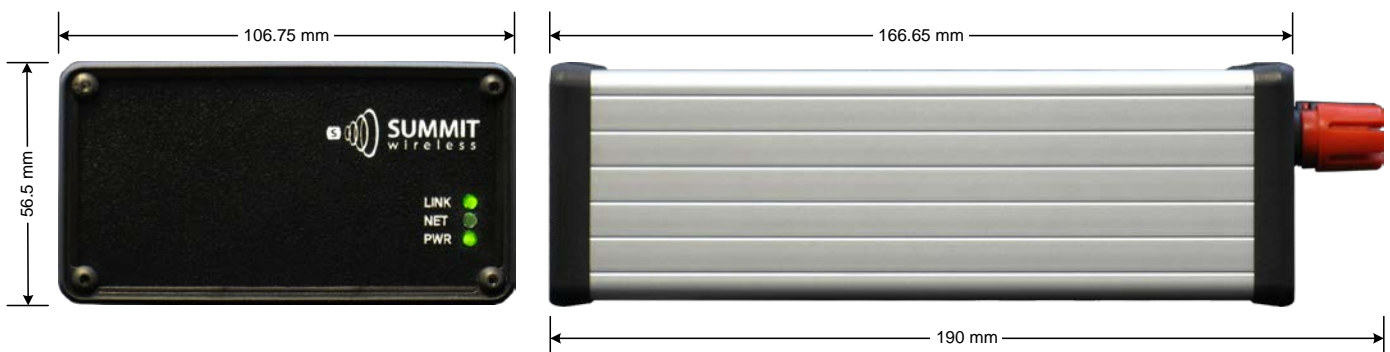
- Integrated SMPS, 100-230 VAC @ 50/60 Hz
- 2x48 W Stereo or Bi-amp operation (4Ω, 1 kHz, SE)
- Provides DC power to Summit DAC/Interface Board

#### Summit DAC Board / Enclosure:

- 24-bit 96 kHz DAC, 3.0 VRMS Line Level output
- Provides 1.2 VDC and 3.3 VDC to Summit Rx Module
- Status LEDs - Associate, Link, Power, Clipping, Amp Error
- Binding post speaker wire connectors
- mini-DIN @RX Speaker Control Board port
- mini-DIN UART Service port
- Power On/Off switch (115/230 V auto-switching), 2-pin IEC power connector

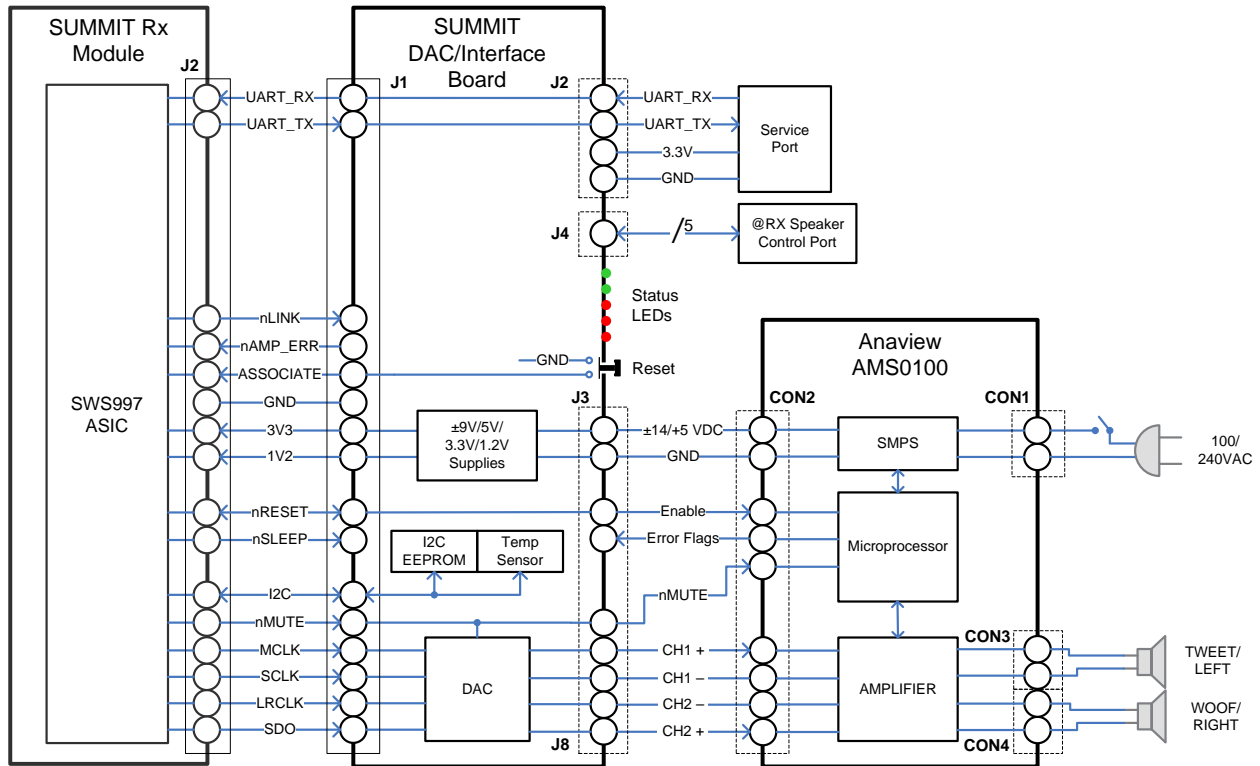


#### Summit Rx Development Kit Dimensions



### HARDWARE PRODUCT BRIEF

Summit Rx Development Kit Block Diagram



### Specifications

| Parameter                                  | Performance                                                                                       |
|--------------------------------------------|---------------------------------------------------------------------------------------------------|
| HD Audio Support                           | 24 bit audio at 48 kHz sampling rate and 96 kHz sampling rate                                     |
| Power Output                               | 2 channels x 48 W into 4Ω load                                                                    |
| Audio Performance<br>THD+N (EIA/CEA-490-A) | Hi Fi level – 0.05% (48 W out, 4Ω load)<br>CEA Standard – 1.0% (50.0 W out, 4Ω load)              |
| Frequency Response                         | +0.34dB/-0.01dB, 20 Hz – 20 kHz                                                                   |
| Phase Response                             | ±10° from 20 Hz to 20 kHz @ 48 kHz and 96 kHz sample rates                                        |
| Dynamic Range                              | 100dB                                                                                             |
| Crosstalk                                  | -80dB                                                                                             |
| Frequency Band                             | U-NII 5.1 GHz to 5.8 GHz with DFS, up to 24 non-overlapping channels ( <i>varies by country</i> ) |

### Ordering Information

| SKU      | Description                                                                  |
|----------|------------------------------------------------------------------------------|
| 444-2266 | Summit Wireless SWS997 <b>XD</b> Rx Development Kit with 2x50 Watt Amplifier |
| 444-2267 | Summit Wireless SWS997 <b>SD</b> Rx Development Kit with 2x50 Watt Amplifier |
| 444-2268 | Summit Wireless @RX Speaker Control Module Accessory                         |