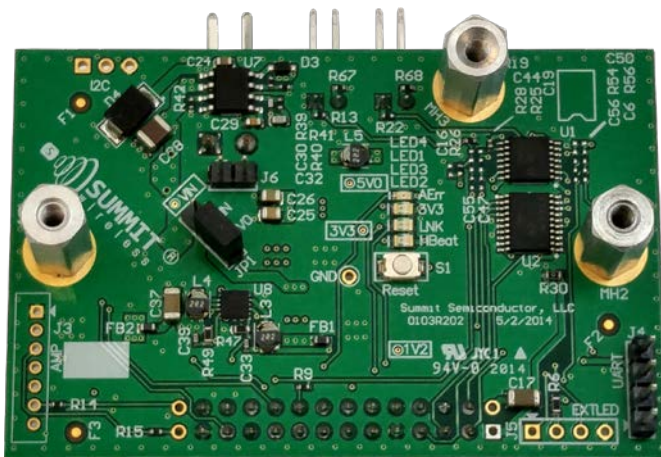


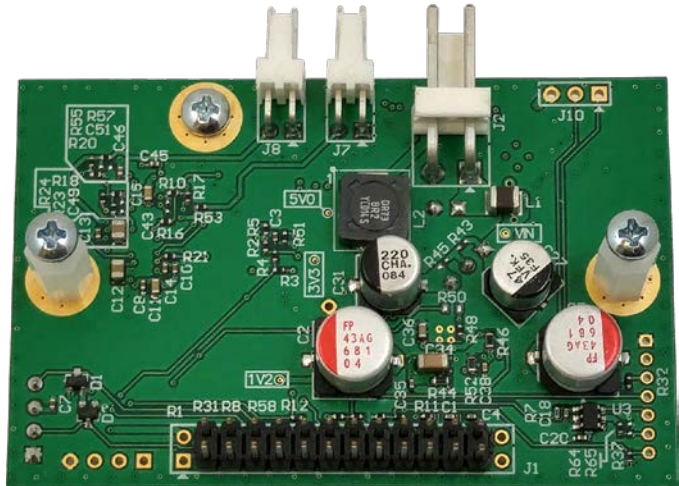
HARDWARE PRODUCT BRIEF

DAC/Line Level Interface Description

The Summit Wireless DAC/Line Level Interface is a compact reference design that adapts a Summit Wireless RX module I²S audio output to any standard power amplifier or powered speaker that accepts line level input. It provides high quality Digital to Analog conversion, 3 V_{RMS} Line Level output, and contains all the necessary power supplies for powering the Summit RX module from a single 5 V to 25 V supply.



Top View



Bottom View

Features

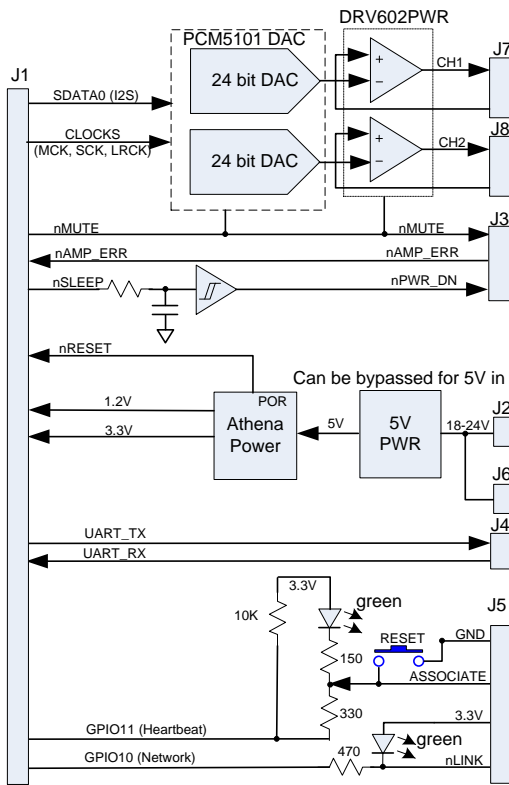
- 3 VRMS Line Level output
- Powered by external DC adapter, 5 V to 25 V
- Generates 1.2 V and 3.3 V supplies required by Summit Wireless RX Module
- Small form factor: 70 mm x 45 mm
- Amplifier I/O control signals: mute, phase invert, amp power enable, amp fault, amp over-temperature warning
- End-user interface signals: Link, Associate, Fault

The DAC interface of the Texas Instruments PCM5101 Stereo DAC provides high-quality analog conversion. An internal charge pump power supply on the DAC provides ground-centered operation, reducing external components needed for DC blocking and mute operation.

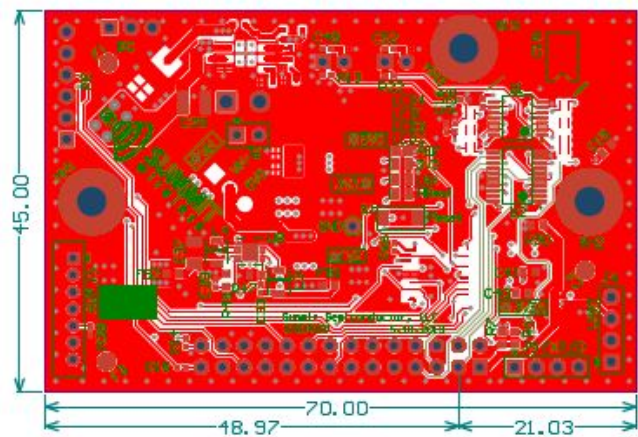
Audio Performance

Parameter	Performance
Audio Sampling Rates	24 bit audio: 32 kHz, 44.1 kHz, 48 kHz and 96 kHz
Power	5 VDC @ 750 mA input minimum, up to 25 VDC
DAC Interface	
Signal to Noise Ratio	106dB
Dynamic Range	106dB
THD	-92dB [THD plus Noise is 0.1% @ 1kHz and 20W

HARDWARE PRODUCT BRIEF



Block Diagram



Board Dimensions

Connections

Parameter	Performance
J1 Summit Interface	24-pin 100 mil interface for Summit RX module (SD or XD module support)
JP1 Power Selection	5 V (Pins 1-2); 18 V to 25 V (Pins 2-3)
J2 Power	5 VDC @ 750 mA input minimum, up to 25 VDC
J4 UART	Pin 1 Gnd Pin 3 3V3 Pin 2 TX Pin 4 RX
J7 / J8 Audio Out	J7 CH1 J8 CH2 Pin 1 Gnd

Ordering Information

SKU	Description
444-2252	Summit Wireless DAC/Line Level Interface Reference Design Includes standoffs, Power cable, and 2 Speaker cables

