

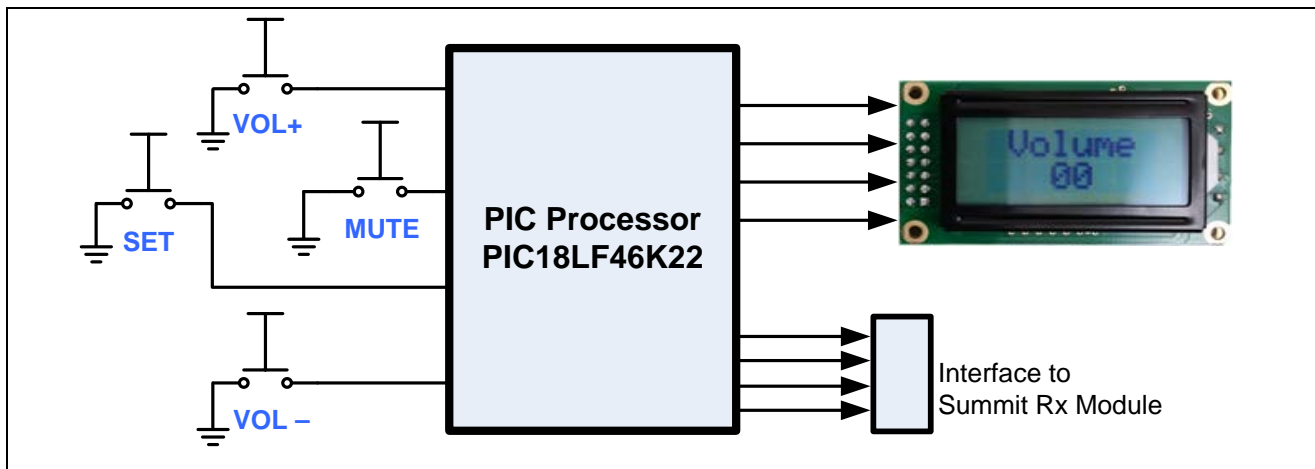
HARDWARE PRODUCT BRIEF

Control Accessory Description

The Summit Speaker Control Module is an optional control interface for the Summit SWS997 Rx Development Kit (SKUs 444-2266 & 444-2267). This control interface enables the following capabilities:

- Volume and mute control for all speakers in the same Zone
- Zone selection (Home Theater zone and Multiroom zones 1-7)
- Speaker Type selection or Slot selection
 - Home Theater (LF, RF, CTR, SW, LS, RS, LR, RR)
 - Pro Audio (Slot 1-7)

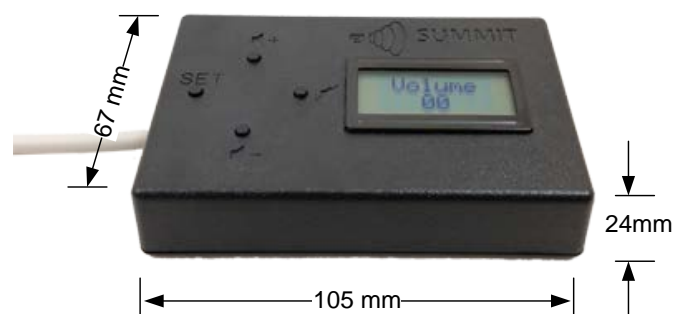
Summit @RX Control Block Diagram



Summit SWS997 RX Development Kit



Summit @RX Control Dimensions



Ordering Information

SKU	Description
444-2268	Summit Wireless @RX Speaker Control Accessory